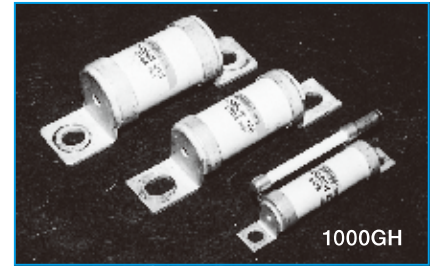


FEATURES

- A fuse with an indicator that shows evidence of fusing is also available (microswitch can be installed).
- Low-cost cylindrical fuse that is compliant to 1000V.
- It is also effective as a fuse with high breaking performance for systems operating at 400V.



RATING

Rated voltage and breaking capacity : 1000V AC–100kA
 1000V DC (L/R = 3ms)–100kA
 Minimum breaking current : 1000V AC/DC – 6 times the rated amperage
 Maximum arc voltage : 2000V

UL standard approved rating

Rated voltage and breaking capacity : Same as the standard rating

CAUTION!

- Read “PROTECT FUSE USER’S GUIDE” and “FOR SAFE USE” at the back of this catalog before use.
- When purchasing a product with an indicator fuse, enter “S” immediately after the ampere rating in the product name (e.g., 1000GH-100SUL).
- The minimum working voltage of the indicator fuse is 10V.

Specifications

Type	Rated Amperage (A)	Fusing I ² t (A ² S)	Shutdown I ² t(A ² S) at AC1000V-100KA	Power Loss (W)	Dimensions (mm)							Weight (g)	Fig	Standard Approved			
					A	B	C	D	E	F	G				H	W	T
1000GH-16UL	16	20	230	3.6	95	81	66	27	20	8	6.5	22	14	2	64	1	UL
1000GH-20UL	20	30	350	4.5													
1000GH-25UL	25	50	600	5.0													
1000GH-32UL	32	85	900	6.0													
1000GH-40UL	40	145	1400	8.0													
1000GH-50UL	50	230	2300	12.0													
1000GH-63UL	63	330	3200	25.0	126	99	69	39	31	16	10.5	35	25	3	196		
1000GH-80UL	80	580	5500	28.0													
1000GH-100UL	100	1000	8500	30.0													
1000GH-125UL	125	1650	15500	42.0	127	101	70	44	37	13	11	40	30	3	282		
1000GH-160UL	160	2500	22000	65.0													
1000GH-200UL	200	4000	35000	75.0													
1000GH-250UL	250	6600	62000	90.0	127	101	70	44	37	13	11	40	30	6	570	2	
1000GH-315UL	315	10000	90000	120.0													
1000GH-400UL	400	16000	145000	155.0													
1000GH-500UL	500	26400	250000	190.0													
1000GH-630UL	630	39500	370000	250.0													

Dimensions

Fig 1

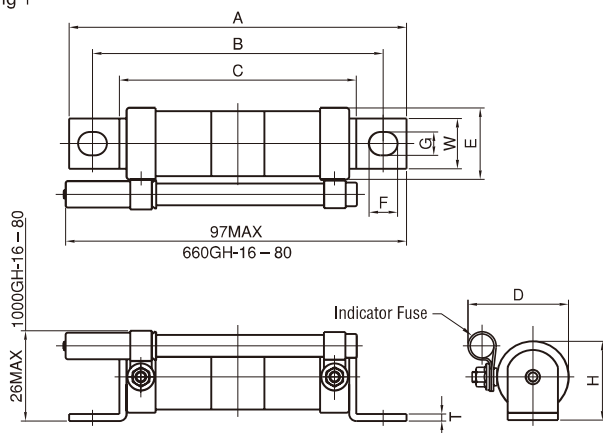
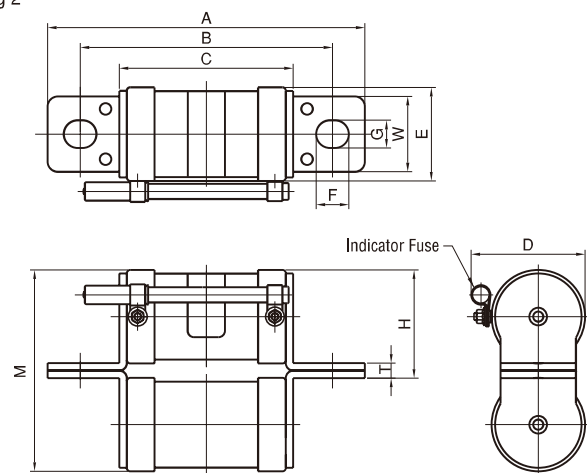
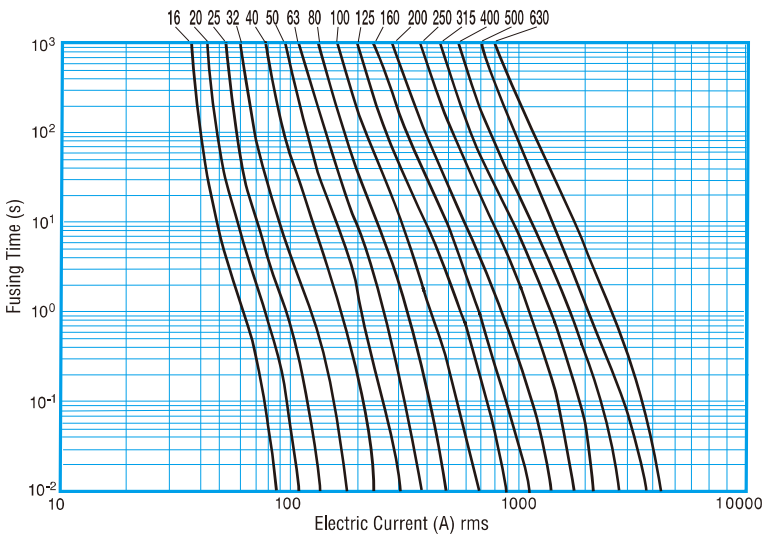


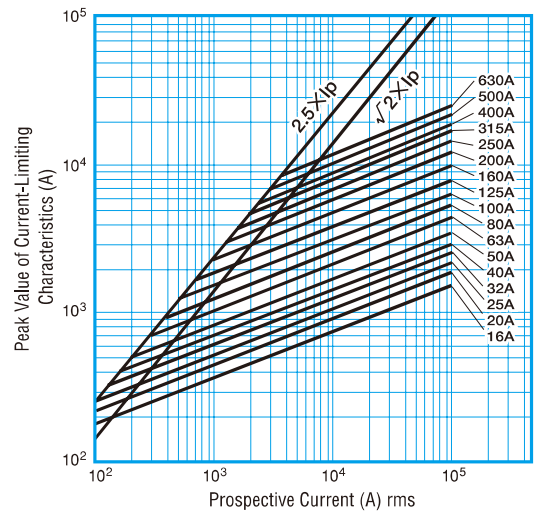
Fig 2



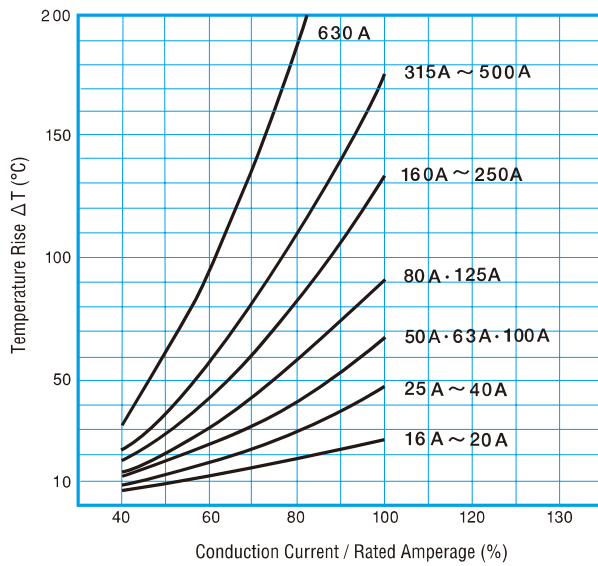
Fusing Characteristics



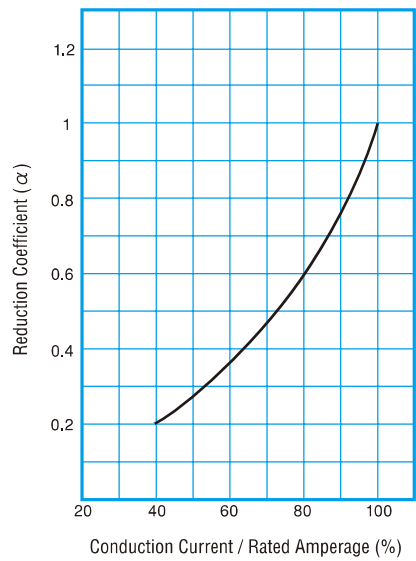
Current-Limiting Characteristics



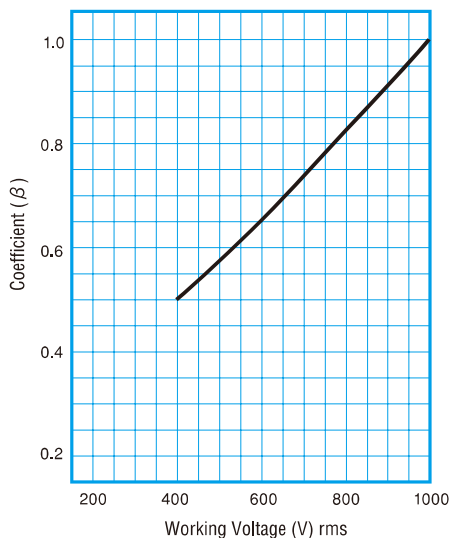
Temperature Rise



Power Loss



Shutdown I²t Against Working AC Voltage



Application to Direct-Current Circuit

